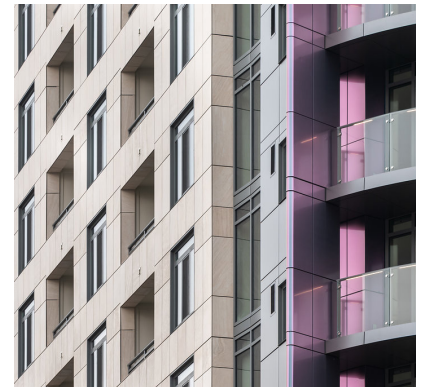
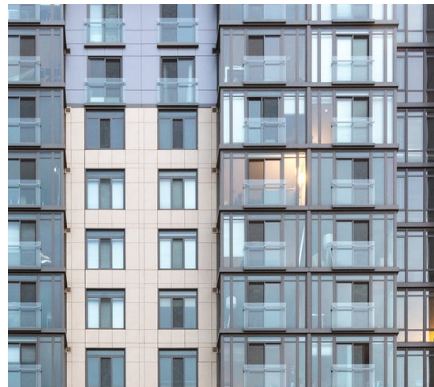


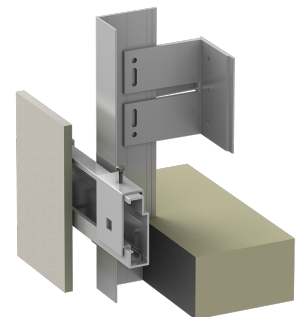
PORCELAIN CERAMIC RAINSCREEN

400 K Street, NW

Metro DC Growth Invites New Residential Rainscreen Applications

Washington DC is growing quickly and the demand for high-quality urban living has been embraced by 400 K Street, NW. [David Carter Scott](#), experts on multi-family design, used Ceramic5 rainscreen panels as the perfect choice for this multi-family residential application. Three different [Ceramic5](#) ceramic panel colors were custom fabricated to create a stunning facade that serves as a showcase for porcelain rainscreen design. Details like wrapping balconies and having the building's window and panels in alignment, create a wonderful symmetry.

System Type: Alpha Vci.40
Panel Type: Ceramic5 - Petra
Architect: Davis Carter Scott



888-826-8453

CLADDING CORPTHE 1ST NAME IN RAINSCREEN

V111219